

- NOTES**
1. DOOR FRAME TO BE STEEL OF MIN 5mm THICKNESS TO ACCEPT M8 FIXING BOLTS, AND TAKE WEIGHT OF DOOR (approx 20kg/m²).
 2. ALL INSIDE SURFACES OF THE FRAME TO BE MIN 150mm WIDE, HEADER AND JAMB TO BE FLUSH AND FREE FROM ANY PROJECTIONS.
 3. TOP TRACK IS ONLY USED AS GUIDE. THE DOOR IS SIDE-HUNG AND THE WEIGHT IS SUPPORTED AT THE JAMB HINGES.
 4. THE FLOOR MUST BE LOWER THAN THE THRESHOLD IN THE FOLDING AREA MARKED ***** TO ALLOW LEAVES TO OPEN EASILY.

NUMBER OF DOORS

FINISH (specify material and colour)

EXTERNAL SKIN:

INTERNAL SKIN:

OPTIONS (please tick or indicate qty reqd)

VISION PANELS - SEE GLAZING LAYOUT DRAWING

- 680X390 PLASTIC EASIFIT
- 400X600 ALUMINIUM FRAME
- 400X1200 ALUMINIUM FRAME
- 600X600 ALUMINIUM FRAME
- 600X1200 ALUMINIUM FRAME
- WICKET DOOR (in panel 2 only)
- STANDARD LEVER HARDWARE
- EMERGENCY ESCAPE FURNITURE
- LOCKING and HANDLES
- LOW-LEVEL MANUAL RELEASE HANDLES
- THRESHOLD PLATE
- NONE - (NOT RECOMMENDED)

- SURROUND FRAME
- 150 x 75 RSA REAR MOUNTED FRAME
 - 200 x 100 RHS BETWEEN WALL FRAME
 - OTHER - PLEASE SPECIFY

- SAFETY EQUIPMENT
- SAFETY EDGES
 - TRAFFIC LIGHTS

- OPERATIONAL CONTROLS
- SEMI-AUTOMATIC - LOGIC E
 - FULLY AUTOMATIC - LOGIC S
 - OTHER CONTROLS (please specify)

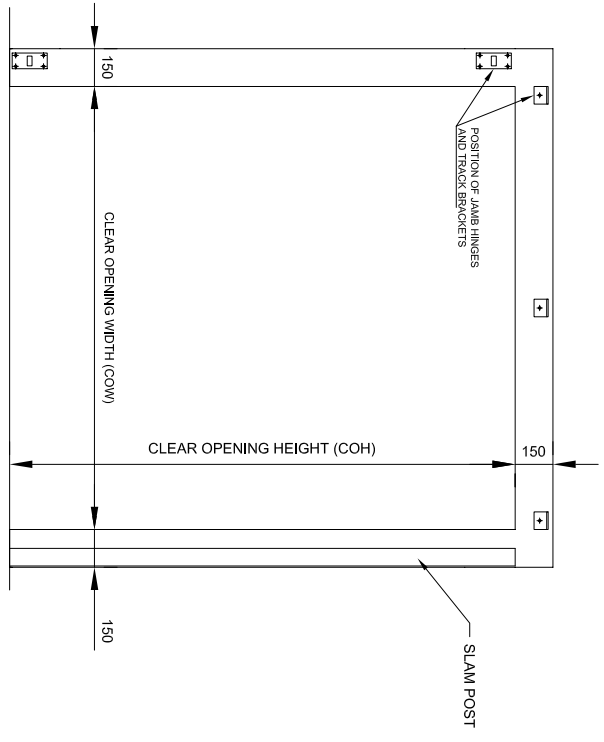
SITE DETAILS

OPENING / DOOR REF.

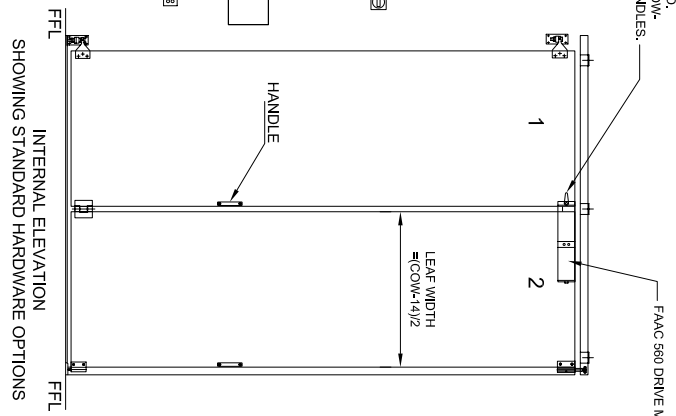
DATE DRAWN BY

DRAWING No. SWT20P-5008

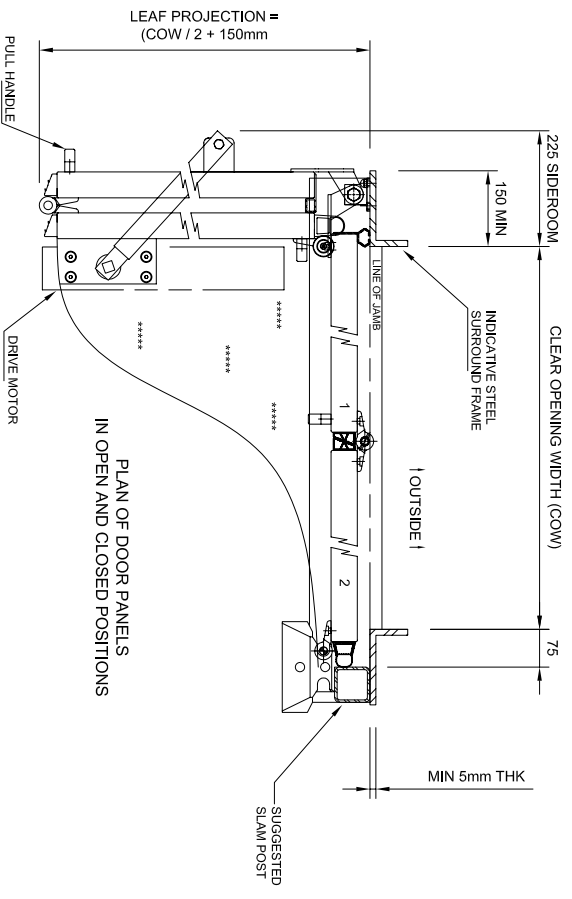
NOTE: HIGH LEVEL MANUAL RELEASE ARM SUPPLIED AS STANDARD. RECOMMEND OPTION FOR LOW-LEVEL MANUAL RELEASE HANDLES.



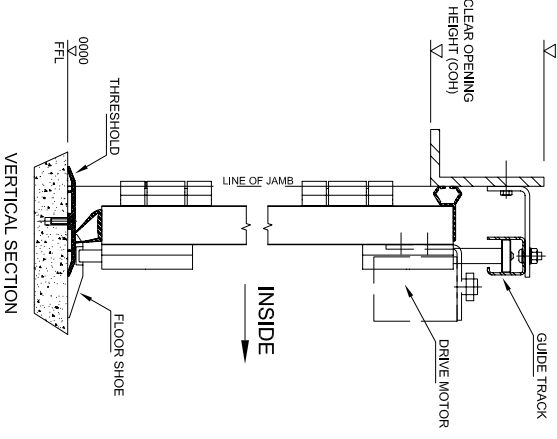
ELEVATION SHOWING INSIDE FACE OF STEEL DOOR FRAME



INTERNAL ELEVATION SHOWING STANDARD HARDWARE OPTIONS



PLAN OF DOOR PANELS IN OPEN AND CLOSED POSITIONS



VERTICAL SECTION

MAX OPENING SIZES	MAX DOOR AREA
UP TO 2400mm WIDE	UP TO 12 m ²
UP TO 6000mm HIGH	

SWIFT 2+0 LEAF, ELECTRICALLY OPERATED